

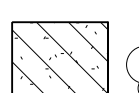


CEILING PLAN GENERAL NOTES:

1. NOT ALL ITEMS IN CEILING ARE SHOWN ON ARCHITECTURAL CEILING PLANS. REFER TO FIRE PROTECTION, MECHANICAL, ELECTRICAL, AND FIRE ALARM DRAWINGS FOR OTHER ITEMS.
2. SPRINKLER HEADS SHALL BE CENTERED IN CEILING TILE UNLESS NOTED OTHERWISE.
3. IN EXPOSED CEILINGS, ALL DEVICES, LIGHTS, DUCTS, AND OTHER BUILDING ELEMENTS ARE TO ALIGN TO, AND BE CENTERED ON, STRUCTURAL ELEMENTS AND WINDOW/WALL PANELS/OPENINGS/ETC. COORDINATE WITH ARCHITECT.

CEILING PLAN LEGEND

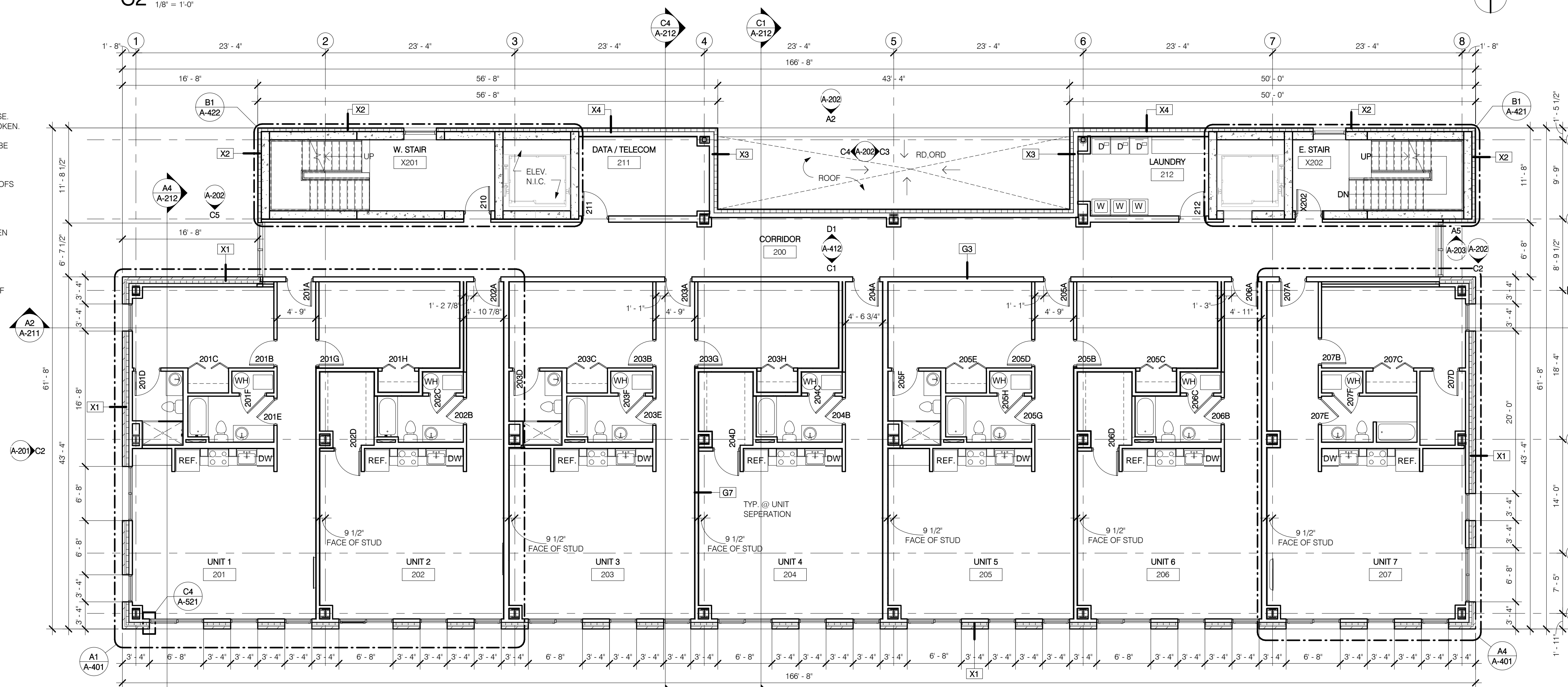
-  09 5113; ACOUSTICAL PANEL CEILINGS
-  09 2900; GYPSUM BOARD
-  07 4645; FIBER CEMENT PANEL SOFFIT



C2 SECOND LEVEL REFLECTED CEILING PLAN
1/8" = 1'-0"

FLOOR PLAN GENERAL NOTES:

1. ALL INTERIOR WALLS TO BE WALL TYPE 'G1' UNLESS NOTED OTHERWISE.
2. BUILDING INSULATION ENVELOPE SHALL BE CONTINUOUS AND UNBROKEN. VOIDS AT WALL OPENINGS AT DOORS, WINDOWS AND LOUVERS, WALL INTERSECTIONS, AND WALL INTERSECTIONS WITH ROOFS SHALL NOT BE PERMITTED.
3. BUILDING AIR BARRIER ENVELOPE SHALL BE CONTINUOUS AND UNBROKEN. VOIDS AT WALL OPENINGS AT DOORS, WINDOWS AND LOUVERS, WALL INTERSECTIONS, AND WALL INTERSECTIONS WITH ROOFS SHALL NOT BE PERMITTED.
4. ALL INTERIOR WALLS SHALL EXTEND TO THE STRUCTURE UNLESS SPECIFICALLY NOTED OTHERWISE.
5. SEAL TOPS OF INTERIOR WALLS WITH MINERAL FIBER ACOUSTICAL INSULATION AS REQUIRED TO PREVENT TRANSFER OF SOUND BETWEEN ROOMS.
6. SEAL ALL PENETRATIONS THROUGH INTERIOR PARTITIONS AND STRUCTURAL SLAB WITH SOUND SEALANT.
7. SEAL ALL PENETRATIONS THROUGH STRUCTURAL SLAB WITH FIRE STOPPING.
8. ALL DIMENSIONS ARE TO GRIDLINE, FACE OF STUD, OR FINISH FACE OF CASEWORK.



A2 SECOND LEVEL FLOOR PLAN
1/8" = 1'-0"

Project Title:
350 EAST LOCUST

Owner:
EAST VILLAGE GROWTH PARTNERS, LLC

2404 FOREST DRIVE
DES MOINES, IA 50312

Project No.: 13.009

Drawn by:

Checked by:

Issue:	Description:
12.20.2013	100% CONSTRUCTION DOCUMENTS
01.20.2014	ADDENDUM 1

Note:

FIELD VERIFY ALL DIMENSIONS AND CLEARANCES DO NOT SCALE DRAWINGS. CONSULT SHOP DRAWINGS AND OTHER APPROPRIATE DRAWINGS. LAY OUT AND COORDINATE ALL WORK PRIOR TO INSTALLATION FOR ACCURACY AND NON-INTERFERENCE WITH OTHER TRADES. READ PROJECT MANUAL.

© COPYRIGHT

UNAUTHORIZED COPYING, DISCLOSURE OR CONSTRUCTION WITHOUT WRITTEN PERMISSION BY NEUMANN MONSON PC IS PROHIBITED.
UNAUTHORIZED SCANNING OF DRAWINGS IS PROHIBITED.

Sheet Title:

SECOND LEVEL FLOOR AND REFLECTED CEILING PLAN

Sheet Number:

A-102